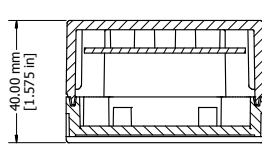
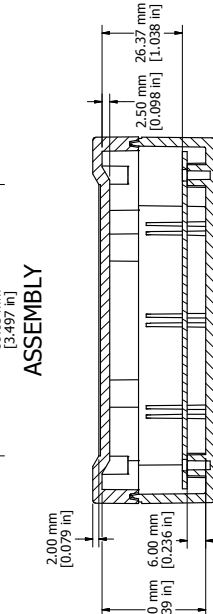
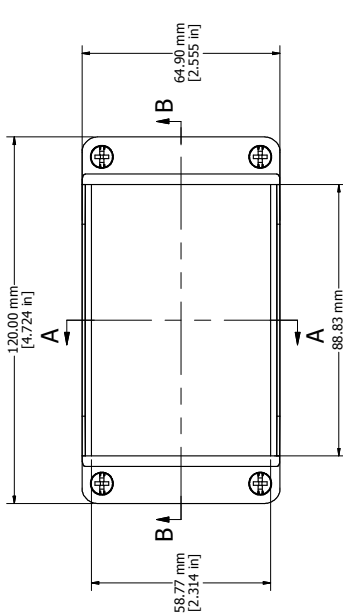
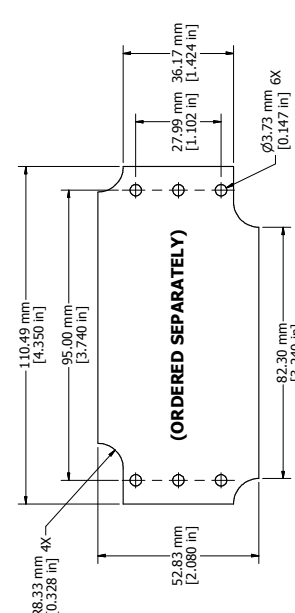


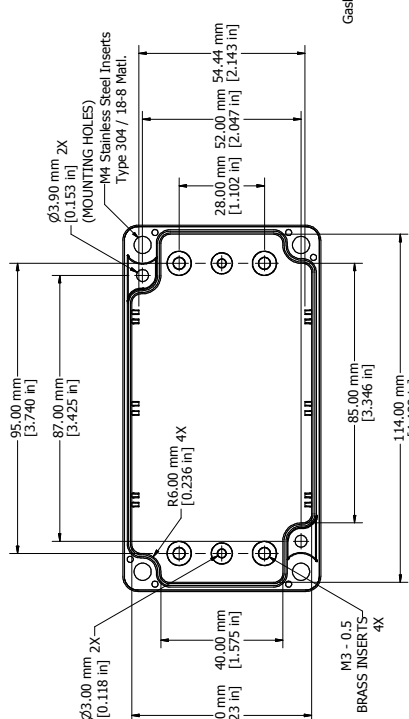
1 2 3 4 5 6 7 8



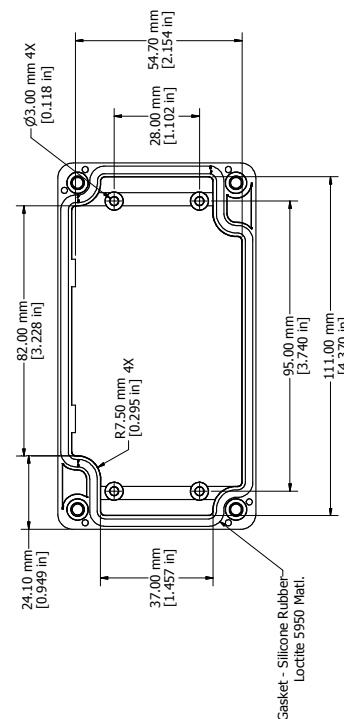
SECTION A-A



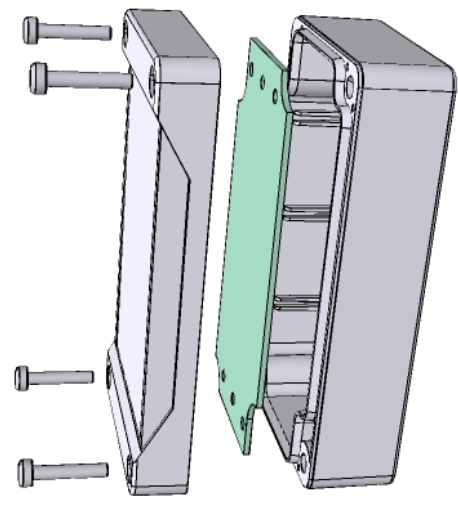
STEEL INNER PANEL



BOX - INSIDE



LID - INSIDE



**UL US LISTED**  
File #E65324  
NEMA 4, 4X

Enclosures can be Factory Modified ( Milling, Drilling, Printing etc. )  
Solid models of this enclosure available in STEP or IGES.  
Contact Factory [mjm@hammondmfg.com](mailto:mjm@hammondmfg.com)

NOTE	
Purchased assembly includes box, lid, and 4 cover screws	
Cover screws should be torqued to 2.5 lbf.in (30 cN.m)	
Polycarbonate version is UL 508 approved	
1555C	
1555C Regular Enclosure	
General Purpose ABS RAL-7035 UL94 - HB	1555CGY
Polycarbonate RAL-7035 UL94 - V0 / SVA @ 3mm	1555C2GY
ACCESSORIES	
Heavy Duty 16 Gauge Galvanized Steel Panels	1584CPL
Steel Panel / P.C. Board Machine Screw	1591MM100
[M3 x 8mm Nickel Plated]	1598ATS100
Steel Panel / P.C. Board Self Tapping Screw	
[#6 X 1/4" (6.4mm) Nickel Plated]	
Cover Screws (Pkg 4)	SC1654
[M4 X 20mm Type 304 Stainless Steel]	



D C A B A